

# GUSTO

## 40in TOWER FAN



USER GUIDE

### Introduction

Cooling off is a breeze with the Gusto 40in Tower Fan. This oscillating fan is powerful and silent, making it the perfect addition to your office, bedroom, living room, or other rooms in your home. With Natural and Sleep modes, and an automatic timer, you won't have to worry about overheating or running up your electric bill with this incredible fan. Plus, with our app there are more opportunities to customize your user experience.

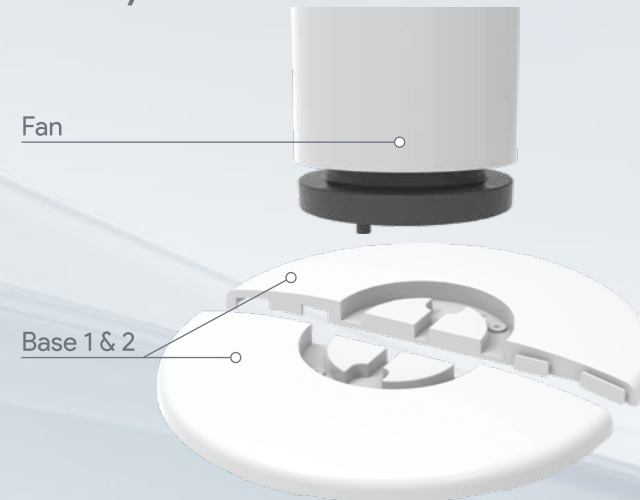
### Features

- Tower Fan with Remote Control
- Interactive LED Screen
- Powerful and Quiet Airflow
- Wi-Fi Function

### What's Included

- Gusto Tower Fan
- Fan Base
- Screws
- Remote Control

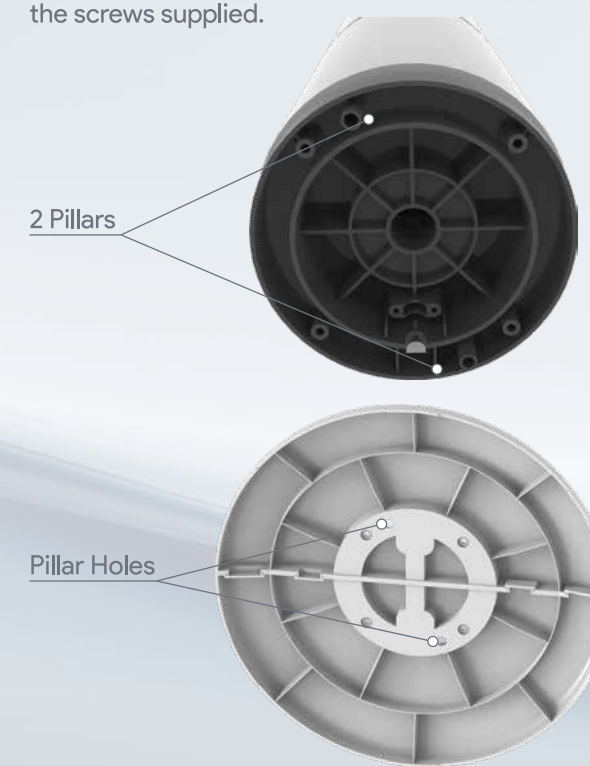
### Assembly



To assemble the Tower Fan, interlock the base parts (Base 1 and Base 2) to create the full base. Then, connect the base to the fan body.

### Assembly (cont'd)

**NOTE:** There are 2 holes in the base. The 2 pillars at the bottom of the fan body need to fit into those 2 holes when assembling the base onto the fan. Secure the base and the fan body together with the screws supplied.



### Control Panel

**NOTE:** The fan can be operated via the app, the control panel located on the top of the fan, or via the included remote control.



- **Power:** Turns the Fan On/Off
- **Timer:** Adjust the Timer Settings
- **OSC:** Adjust the Oscillation Settings/Set Up Wi-Fi
- **Mode:** Cycle through the Modes (Normal, Natural, Sleep)
- **Speed:** Adjust the Fan Speed (Low, Mid, High)

### Operating The Fan Manually

1. Plug the fan into an AC outlet. The LED screen will automatically display the current room temperature.
2. Press the ON/OFF button. The fan will start running at Medium speed.
3. Press the SPEED button to select the desired level: Low, Medium, High. The speed level is displayed on the LED screen.
4. Press the MODE button to set the fan to Normal, Natural, or Sleep mode. The mode is displayed on the LED screen.
5. Press the OSC button to activate the fan's oscillation function. To stop the oscillation, press the OSC button again.
6. Press the TIMER button to set the desired auto power off timer. The timer options range from 1 to 12 hours, with 1-hour intervals.

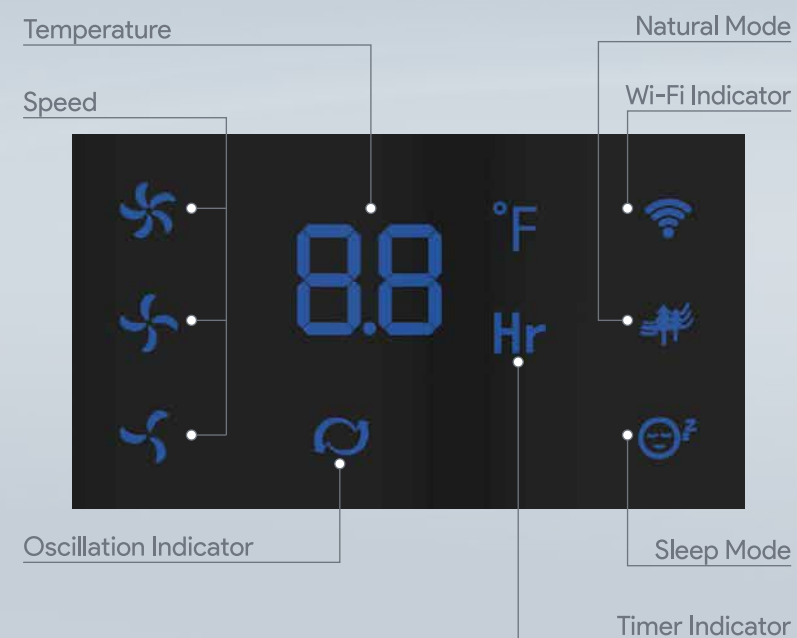
### Fan Modes

**Natural Mode:**  
Mimics outdoor wind by fluctuating between different speeds, creating a dynamic and natural breeze.

**Sleep Mode:**  
Gradually lowers the fan speed every 30 minutes, creating a progressively quieter and softer breeze as you drift to sleep.

### LED Display

**NOTE:** The display turns off after 5 minutes of idle time; press any button to turn it back on. The fan speed can't be adjusted when the fan is in Natural or Sleep mode; you can only adjust the fan speed in Normal mode.



### Remote Control

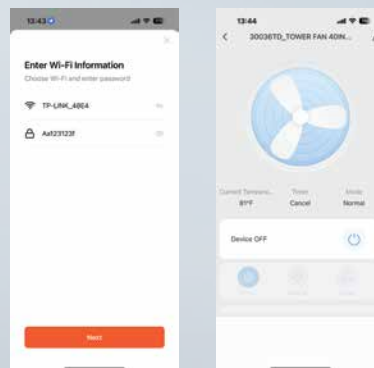
The buttons on the remote control have the same functionality as those in the control panel. Use the remote to adjust the settings accordingly.

**NOTE:** The remote control requires two AAA batteries to operate. Batteries are included.



### Setting Up The Fan With Wi-Fi

1. Scan the QR code to download and install the Tzumi Smart Home APP.
2. Open the app and set up an account.
3. Press and hold the OSC icon on the fan for 3 seconds, and the Wi-Fi symbol will flash in the upper right corner of the LED screen.
4. In the Tzumi Smart Home APP, select 'add device' in the top right corner.
5. Follow the steps on the screen to connect to the fan.
6. Once set up, the fan is ready to use.



### Care & Maintenance

- Always unplug the fan before cleaning it.
- Clean the fan with a slightly damp cloth.
- Do not use abrasive or corrosive cleaning products.
- Do not immerse any part of the fan in water or any other liquids.
- Make sure the air vents are constantly clear from dust and lint.

### Specifications

- **Input:** 120V ~ 60Hz
- **Power:** 45W
- **Size:** 11 x 11 x 40.5 in.
- **Weight:** 5.73 lbs.

### Warnings & Safety Information

- This device is intended for home use only to ventilate rooms. Do not use it for any other purpose. The manufacturer is not responsible for any eventual damage caused by the inappropriate, improper or irresponsible use of this product, nor for repairs made to the product by unauthorized personnel.
- Do not move the appliance when it is operating, and unplug the appliance when it is not in use.
- Do not touch the appliance with wet hands or feet.
- Do not insert any tool, or your fingers, into the grille protecting the blades.
- This appliance is not intended to be used by persons (including children) with reduced physical, sensory or mental capabilities.
- Always keep batteries out of the reach of children when removing or replacing the batteries in the remote control.
- Basic safety precautions must always be observed when using this appliance to avoid risks of fire, electric shocks and physical injury. Always seek out a professional when the appliance is not operating correctly or seems damaged.
- Do not leave the device exposed to the weather (sun, rain, etc.).
- Do not pull on the cord to disconnect the plug from the socket. If the cord is damaged, it must be replaced by the manufacturer, their service agent or similarly qualified persons.

### Customer Support

If you have any questions about using this product, we are here to help. Call or email us, and an experienced customer support representative will be happy to assist you: **1-855-GO-TZUMI** or **support@tzumi.com**.

# tzumi®

Gusto 40in Tower Fan. Distributed by tzumi Inc. NY, NY, 10016. ©Copyright 2024 tzumi Inc. All Rights Reserved. Made in China. All other trademarks and trade names are the property of their respective owners. All pictures shown are for illustration purposes only. Actual product may vary due to product enhancement. Subject to change without prior notice.