

Bluetooth 5.0
SOUNDGUARDS
 BLUETOOTH NOISE ISOLATING EARMUFFS



User Guide

Stay in the Zone While You Work

The **tzumi SoundGuards** are the best earmuffs for noise isolation while working in noisy environments, with the additional Bluetooth and AUX compatibility they even allow you to enjoy some music or answer calls while in use. Super comfortable for a whole day's use, plus they are OSHA compliant for peace of mind and the highest safety standards. Block most noise while wearing the SoundGuards or be part of the conversation with the breakthrough transparency mode feature.

- Noise isolating technology allow you to listen to music without any interruptions.
- Wireless design with Bluetooth technology (also compatible with AUX).
- Comfortable and protective headset so you can use all day long.
- OSHA compliant for strict safety standards.
- Answer or reject calls on the fly using built-in microphone.
- On unit multi-function controls that are easy to use.
- Transparency mode disables noise-canceling technology, allowing you to hear environmental sound.

Setup Instructions

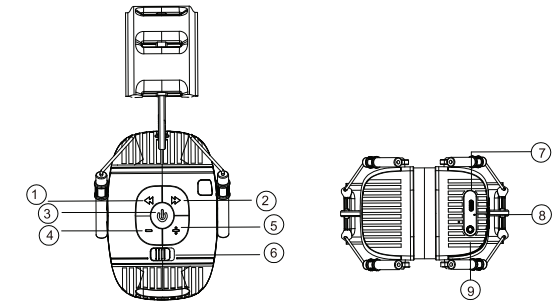
1. Press and hold the power button for two seconds to turn the headphones ON/OFF.
2. Open the Bluetooth settings on your device, search and select "Tzumi Soundguards", follow the device instructions to finish the pairing process.
 - a. If you wish to connect via AUX instead, skip this step and instead plug one end of an AUX cable into your device and the other into the headphone jack.
 - b. If you wish to turn back to Bluetooth Mode, please power headphones ON again after you pull out the AUX cable.
3. Your headphones are now ready for use!
4. To charge your headphones, plug the USB-C charging cable into the port on the headphones and connect the other end into a USB power source.
5. The LED will light red while charging and turn off once fully charged.

Transparency Mode

This mode allows the outside noise to be heard thru the headphones. To turn this mode on, slide the transparency mode button to the ON position.

NOTE: As a safety precaution, bluetooth will turn off when transparency mode is activated.

Button Control



1. Previous Song
2. Next Song
3. Multi-function Button:
 - a. Power (Press and hold) to turn ON/OFF
 - b. Play/Pause (Press)
 - c. Answer/End Call (Press)
 - d. Reject Call (Press and hold)
 - e. Redial (Press twice)
4. Decrease Volume
5. Increase Volume
6. Transparency Mode Switch
 - Slide the ON/OFF switch to hear/isolate environmental sounds
7. Charging Port
8. Indicator Light
9. 3.5mm Aux Port

Important Information

•The level of noise entering a person's ear, when the hearing protector is worn as directed, is closely approximated by the difference between the A-weighted environmental noise level and the Noise Reduction Rating (NRR).

Example

- The environmental noise level as measured at the ear is 92 dBA.
- The NRR is 23 decibels (dB).
- Level of noise entering the ear is approximately equal to 69 dB(A).

Caution: For noise environments dominated by frequencies below 500Hz the C-weighted environmental noise level should be used.

- Improper fit of this device will reduce its effectiveness in attenuating noise. Consult the enclosed instruction for proper fit.
- Although hearing protectors can be recommended for protection against the harmful effects of impulsive noise, the NRR is based on the attenuation of continuous noise and may not be an accurate indicator of the protection attainable against impulsive noise such as gunfire.



Correct placement



Incorrect placement

Warnings

- Do not use the headphones if the inability to hear surrounding sounds may present a danger to yourself or others. This is included, but not limited to, riding a bicycle, walking in or near traffic, or working on a construction site or railroad.
- Ensure you are always able to hear surrounding sounds, including alarms and warning signals.
- Do not use headphones at a high volume for an extended time to avoid hearing damage. Use your headphones at a comfortable, moderate volume level.
- Do not use headphones while driving.
- Keep away from wet or humid environments.
- Do not operate if headphones are wet or with wet hands.

Specifications

Noise Reduction Rating: 23dB
 Bluetooth Version: 5.0
 Music Playback: Up to 50 hours
 Charging Time: Up to 3 hours
 Power Input: 5V/0.6A
 Frequency: 20Hz - 20KHz
 Battery: 1200mAh
 Dimensions: 5.5 x 7.5 in.
 Manufactured date reflected on item serial number.

If you have any questions about using this product, we are here to help! Call or email us and an experienced customer support representative will be happy to assist you:
1-855-GO-TZUMI or support@tzumi.com.



tzumi™ Inc. Distributed by tzumi Inc. NY, NY 10016. ©Copyright 2021 tzumi Inc. All Rights Reserved. Made in China. All other trademarks and trade names are those of their respective owners. All pictures shown are for illustration purposes only. Actual product may vary due to product enhancement. Subject to change without prior notice.