

ProStand

ON AIR

Floor
Tripod

User Manual

PodCastSeries

Please read this user manual in its entirety before using your new tzumi On Air Live Pro Floor Tripod Stand.

INTRODUCTION & FEATURES

Boost the production quality of your video projects with the On Air Live Pro Floor Tripod Stand. This sturdy floor tripod stand eliminates shaky, unbalanced camera movements and enables anyone to direct with ease and skill. Shoot high-quality, fluid cinematic videos any time and enjoy easy height and angle adjustments no matter the terrain. Each unit comes equipped with expanding legs and rubber feet, making it perfect for any type of filming project, even on the go.

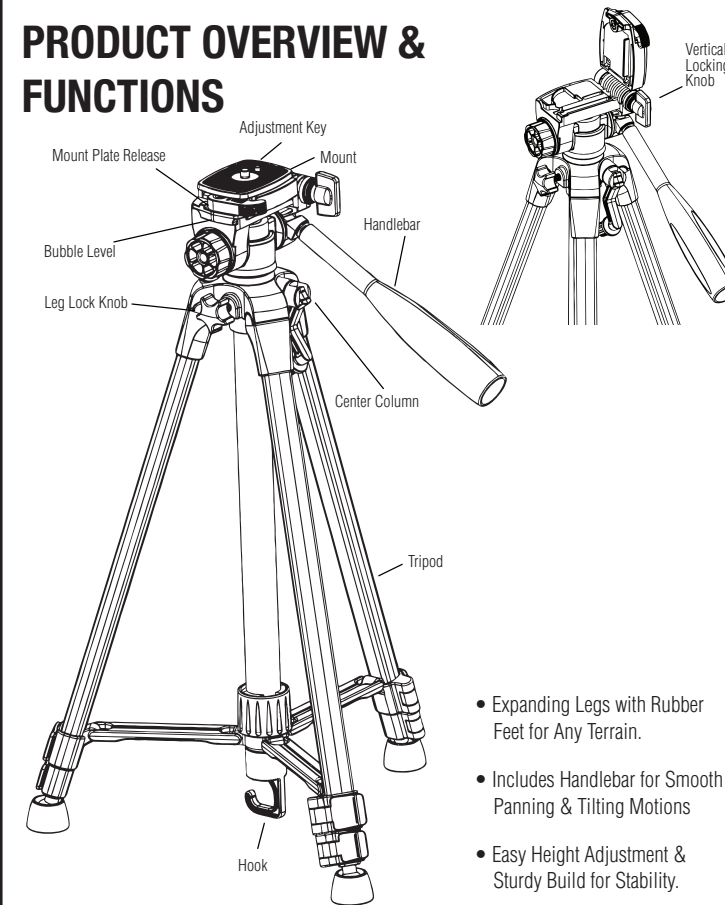
PACKAGE CONTENTS

- 1 x Floor Tripod Stand
- 1 x Spring-Loaded Smartphone Holster
- User Manual

PACKAGE SPECIFICATIONS

- Max. Weight Load: 6.6 lb
- Extended (Max.) Height: 54.6 in
- Min. Height: 19.1 in
- Folded Height: 19.9 in
- Assembled Weight: 1.91 lb

PRODUCT OVERVIEW & FUNCTIONS



USING YOUR FLOOR TRIPOD

STEP 1: EXTEND THE TRIPOD LEGS.

- Always extend the legs from the top flip-locks first.
- Pull on each flip-lock and extend the leg to its desired height. Relock each leg.

STEP 2: SPREAD THE TRIPOD LEGS.

- Plant the front leg of the tripod in position.
- Lift the back two legs and pull the unit back to spread them to the full extension of the mid-level spreader.

STEP 3: SET THE TILT.

- Release the tilt lock, if necessary, and set the tilt so that the head is flat and ready for mounting your camera.
- Retighten the tilt lock.

STEP 4: SET THE PAN ANGLE.

- Release the pan lock, if necessary, and rotate the head to set it in the direction in which you plan to shoot.
- Retighten the pan lock.

STEP 5: MOUNT YOUR CAMERA/ SMARTPHONE TO THE TRIPOD.

- Check that your tripod legs are locked and that the tripod is stable and ready for mounting your camera.
- Connect your camera to the mount plate. When connected, place the plate firmly back into the square slot on the base and press until you feel a "click".
- After attaching the camera to the mount, set its position where the camera is the most balanced.
- Retighten the mounting plate lock firmly.
- The unit also features a spring-loaded smartphone holster, which can be attached to the unit vertically or horizontally. To attach, screw the holster clockwise onto the tripod base until secure and unmoving.
- The bracket expands to fit the width of most phone models. Using both hands, carefully expand the brackets by pulling them apart. Insert your smartphone and gently release the bracket. It will form a tight grip around your device until released again.

STEP 6: START SHOOTING!

- If you don't need to pan or tilt during your shot, keep the pan and tilt knobs locked.
- TO PAN: Release the pan lock knob. Using the pan/tilt bar, move the tripod left or right to pan.
- TO TILT: Release the tilt lock knob. Using the pan/tilt bar, move the tripod up or down to tilt.
- Turn the center column crank handle clockwise to raise the column or counterclockwise to lower it.

STEP 7: TEAR DOWN THE TRIPOD WHEN FINISHED.

- When tearing down your tripod, bring the legs together, collapsing the mid-level spreader.
- Remove the mount plate by pulling the release hook outwards and simultaneously pulling the plate up to disconnect.
- Release the flip-locks on the legs and slide the leg extensions back to the closed position.
- Secure the flip-locks. Your tripod can now be safely placed inside a storage or travel bag if desired.
- Remove the camera from the ball head every time you plan to transport or disassemble.

TIPS FOR PLACEMENT AND USE

- It's widely recommended to extend all tripod legs to their maximum length rather than obtaining height only using the center column. Only extend the center column if you need to.
- When placing the tripod in position, keep one leg pointing in the direction that the smartphone/camera will be pointed once attached to the unit. The remaining two legs should be positioned so you can stand between them. This position ensures the firmest balance and decreases the likelihood of bumping into the tripod while taking a shot.
- Avoid over-tightening the flip lock adjustment screw; this may cause improper operation.
- It is not necessary to use lubrication with this unit. If you prefer to use a lubricant, only use standard lubricant or grease when necessary.

CARE & IMPORTANT SAFEGUARDS

- Ensure that the ball head is locked before shooting or making any further adjustments to the unit.
- Do not operate if the environment temperature is below -20°C (-4°F) or above 70°C (158°F).
- Do not leave the tripod in direct sunlight or lean it against hot surfaces, like the exterior of a car, for long periods of time.

- Do not exceed the tripod's maximum load capacity of 6.6 lbs.
- To clean, wipe down with a soft dry or damp cloth. Do not use with cleaning agents or other chemical solutions.
- This unit is not waterproof. Do not expose to water, moisture, extreme temperatures, or high levels of humidity.
- Never set up or disassemble a tripod while a camera is mounted. Never move the tripod or adjust the legs after a camera has been mounted.
- Never leave a camera unattended on the tripod.
- Never mount a camera to the tripod until all the tripod legs are locked and stabilized.
- Do not lift or move the tripod by the head.
- Keep hands clear of the inside of the legs, to avoid trapping and injuring fingers.
- Never attempt to disassemble or modify your On Air Live Pro Floor Tripod Stand in any way. Doing so violates any warranty in place and may cause permanent damage to the unit.
- Safe tripod operation is the sole responsibility of the user. Contact the Customer Support team at tzumi.com/support for assistance.

tzumi® On Air Tripod Stand Distributed by tzumi® INC.
NY, NY 10016 ©Copyright 2019 tzumi® All Rights Reserved.
Made In China.