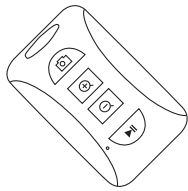
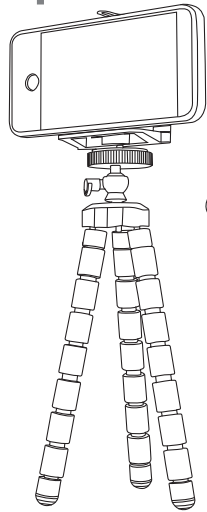
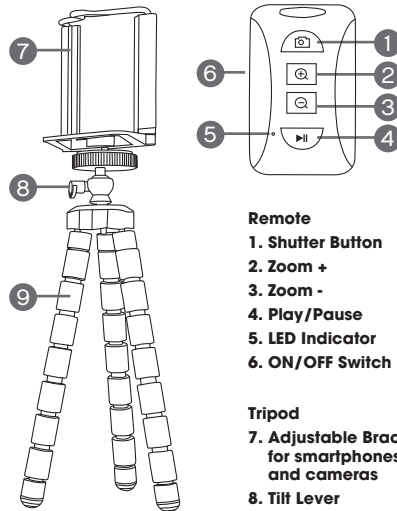


TZUMI

Tripod & Remote Shutter

**User Guide**

PRODUCT OVERVIEW



Remote

1. Shutter Button
2. Zoom +
3. Zoom -
4. Play/Pause
5. LED Indicator
6. ON/OFF Switch

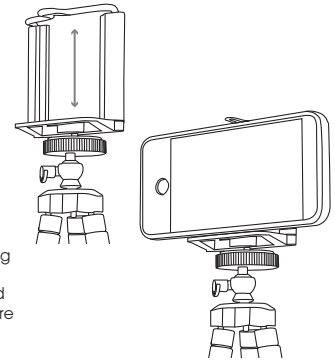
Tripod

7. Adjustable Bracket for smartphones and cameras
8. Tilt Lever
9. Flexible Legs

TRIPOD USAGE

SMARTPHONES

Fit the phone by extending the top/bottom brackets as shown on right.



DIGITAL CAMERAS

Remove the phone bracket by unscrewing it counterclockwise. The 1/4" universal tripod screw is there to secure any digital camera.

TO TILT

Use the lever to modify the tilt position of the phone or camera.

FLEXIBLE LEGS

Bend and rotate joints to achieve the best shooting position. Rubber coated feet offer extra stability.

over

PAIRING THE TRIPOD SHUTTER TO BLUETOOTH DEVICE

Make sure the Bluetooth function is available on your cell phone. Specific pairing procedures will be different depending on different cell phone. For detailed information, please refer to your cell phone's User Guide.

- If no device connection is made within 5 minutes of the Tripod Shutter being switched on, the Tripod Shutter will automatically be switched off to save power.
- After a successful pairing devices will memorize each. Therefore, no pairing will be needed next time.

1. Turn on the Tripod Shutter by moving the switch located on the side of the remote to ON position.
2. As soon as the blue LED Indicator light will turn on, the Bluetooth pairing mode will turn on automatically.
3. Keep the distance between the cell phone and the Tripod Shutter within 3 feet (for pairing only).
4. Activate the Bluetooth function of the cell phone to search for the Bluetooth devices. After finishing the search, select "Tzumi Selfie Shutter" in the device list displayed. Once pairing is successful the indicator light will turn off.
5. After successfully pairing, the Tripod Shutter can recognize your device operating system (IOS or Android) automatically.

3

TRIPOD SHUTTER USAGE

TO TAKE A PICTURE:

Load your camera app and press the Shutter Button.

NOTE FOR APPLE USERS:

The zoom functions only work with Android Galaxy S3/S4 and Note. In order for zoom function to work for the iPhone, please go into your camera settings and set the volume key as zoom key.

To Zoom in
Press "+" Button

To Zoom out
Press "-" Button

MUSIC

Play/Pause/Resume music
Press Play/Pause Button.

VOLUME

During a call or when listening to music

Volume +
Press "+" Button.

Volume -
Press "-" Button.

If the Tripod Shutter is left inactive for longer than 5 minutes it will go into stand-by mode. This will conserve the battery power. It is still strongly recommended to turn off your device after use to prolong the battery life of your product.

TO REPLACE BATTERY

Press and slide the battery compartment cover to open it. Remove the old battery and replace with 3V type cell battery. Place the battery compartment back on.

4

IMPORTANT SAFEGUARDS

- Do not use Tripod Shutter for anything other than its intended use.
- Keep Tripod Shutter away from heat source, direct sunlight, humidity, water or any other liquid.
- Do not expose the Tripod Shutter to extremely high or low temperatures.
- Do not operate the Tripod Shutter if it has been wet or moist.
- Do not use the Tripod Shutter if it has been damaged in any way.
- Repairs to electrical equipment should only be performed by a qualified electrician. Improper repairs may place the user at serious risk.
- Keep the Tripod Shutter out of reach of children.

SPECIFICATIONS

Battery: 3V 200mA

Working current: 3mA

Standby current: 300µA

Standby time: 30-90 days
(depending on frequency use)

Bluetooth version: 3.0

TZUMI® Tripod & Remote Shutter Distributed by TZUMI® INC. NY, NY 10016
©Copyright 2015 TZUMI® All Rights Reserved. Made In China.

The Bluetooth trademarks are owned by Bluetooth SIG, Inc. Other trademarks and trade names in this document are those of their respective owners.
© 2015 Bluetooth SIG, Inc. Subject to change without prior notice.

Samsung and Galaxy S are both registered trademarks of Samsung Electronics Co., Ltd. Subject to change without prior notice.
iPhone is a trademark of Apple Inc., registered in the U.S. and other countries. Subject to change without prior notice.
Android is a trademark of Google Inc.