

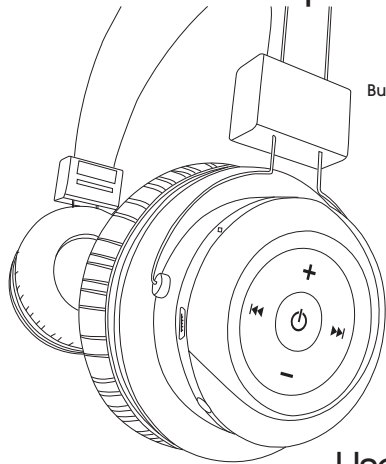
tzumi



Bluetooth Stereo Wireless Headphones

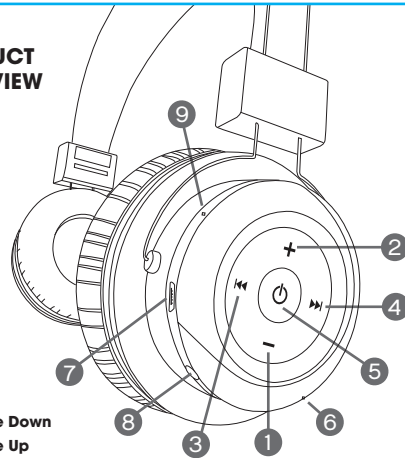


HD Voice Ready
Built-in Microphone



User Guide

PRODUCT OVERVIEW



1. Volume Down
2. Volume Up
3. Previous
4. Next
5. Power / Multi-functional ON/OFF, Call Answer, Redial Hang Up, Play/Pause
6. Built-in Microphone
7. Charge
8. Line-in
9. Indicator Light

PACKAGE CONTENTS

- Bluetooth Headphones
- Micro USB cable
- AUX line-in cable

CHARGING THE HEADPHONES

These headphones have an internal rechargeable battery. The battery must be fully charged prior to use. Charging time is approximately 2 hrs. Your headphones cannot be used while charging.

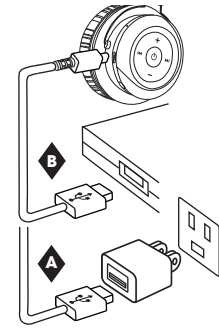
Red light ON – Charging
Light OFF – Unit fully charged

A Via AC Adapter Wall Charger

Using the provided Micro USB cable, connect the headphones (Micro USB port) to the AC Adapter (USB port).

B Via Computer

Using the provided Micro USB cable, connect the headphones to the computer or laptop (USB port).



PAIRING THE HEADPHONES TO BLUETOOTH DEVICE

Make sure the Bluetooth function is available on your cell phone. Specific pairing procedures will be different depending on different cell phone. For detailed information, please refer to your cell phone's User Guide.

- If no device connection is made within 10 minutes of the headphones being switched on, the headphones will automatically be switched off to save power.
- After a successful pairing devices will memorize each. Therefore, no pairing will be needed next time.

over

PAIRING TO BLUETOOTH DEVICE (CONTINUED):

1. Keep the distance between the cell phone and the headphones within 3 feet (for pairing only).
2. Turn on the Bluetooth headphones by pressing the multifunction button for 1 second, the announcement "Power ON" will sound and the blue light will begin to flash quickly.
3. Activate the Bluetooth function of the cell phone, to search for the Bluetooth devices.
4. Approximately after 2 seconds after "Power ON", search for "Tzumi-Headphones". The announcement "Pairing" will sound as blue and red lights will flash quickly. Next, select "Tzumi-Headphones" in the device list displayed.
5. Only for some electronic devices: Press "yes" or "enter" key to confirm the successful pairing.
6. After the successful connection, the blue light of the headphones will flash every 8 seconds.

CONNECTING TO OTHER BLUETOOTH DEVICES

Note: Your headphones can only be connected to **one** Bluetooth device at a time.

1. In order to connect to the other Bluetooth device, you must first close the current Bluetooth connection.
2. Follow the above steps (under **PAIRING TO BLUETOOTH DEVICE**) to pair your earbuds to another Bluetooth device.

FAQ's

Q: Why can't I turn the headset on?

A: Make sure your device is fully charged before using it for the first time. Your device can not be turned on if battery level is very low. Refer to Charging the headphones section of the manual.

Q: There is no sound during playback.

A: Check the connection between your device with phone or computer. If the connection is not established, please reconnect again. And adjust the volume level to a suitable level.

3

EARBUDS CONTROLS

Making and receiving calls

You can use your earbuds in various ways for handling calls.

Answer call _____ Press

End a call _____ Press

Redial last call _____ Quickly press 2 times

Listening to music

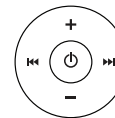
Play music _____ Press

Pause/resume music _____ Press

Go to next song _____ Press

Go to previous song _____ Press

Power ON/OFF _____ Press and hold



Changing the volume

When needed, adjust the volume by pressing the keys (up) or (down) during a call or when listening to music.

LINE-IN USE

You have an option to use these headphones via line-in. Make sure your headphones are charged for line-in use.

1. Turn ON the headphones by pressing the power/multifunction button .
2. Use the standard 3.5mm auxiliary cord to connect the headphones to your device.

4

IMPORTANT SAFEGUARDS

- Do not use this unit for anything other than its intended use.
- Keep the unit away from heat source, direct sunlight, humidity, water or any other liquid.
- Do not expose the device to extremely high or low temperatures, as it may damage the battery.
- Do not operate the unit if it has been wet or moist to prevent against electric shock and/or injury to yourself and damage to the unit.
- Do not use the unit if it has been dropped or damaged in any way.
- Repairs to electrical equipment should only be performed by a qualified electrician. Improper repairs may place the user at serious risk.
- Keep the unit out of reach of children.
- This unit is not a toy.

BATTERY DISPOSAL:

This product contains a lithium polymer battery. Lithium Polymer batteries are environmentally safe when fully discharged. Please refer to your local and state laws for battery disposal procedures.

SPECIFICATIONS

Bluetooth Version _____ Bluetooth V4.0
 Distance _____ Up to 33ft (10m)
 Battery _____ Rechargeable lithium battery: 300mAh
 Frequency _____ 160HZ-20KZH
 Standby Time _____ Up to 30 hours
 Charging Time _____ 2 hours
 Play Time _____ up to 8 hours
 Talk Time _____ up to 10 hours
 Input _____ DC: +5.0±0.25VA

tzumi® BT STEREO HEADPHONES Distributed by tzumi® INC. NY, NY 10016
 ©Copyright 2015 tzumi® All Rights Reserved. Made In China.

The Bluetooth trademarks are owned by Bluetooth SIG, Inc. Other trademarks and trade names in this document are those of their respective owners. © 2015 Bluetooth SIG, Inc. Subject to change without prior notice.